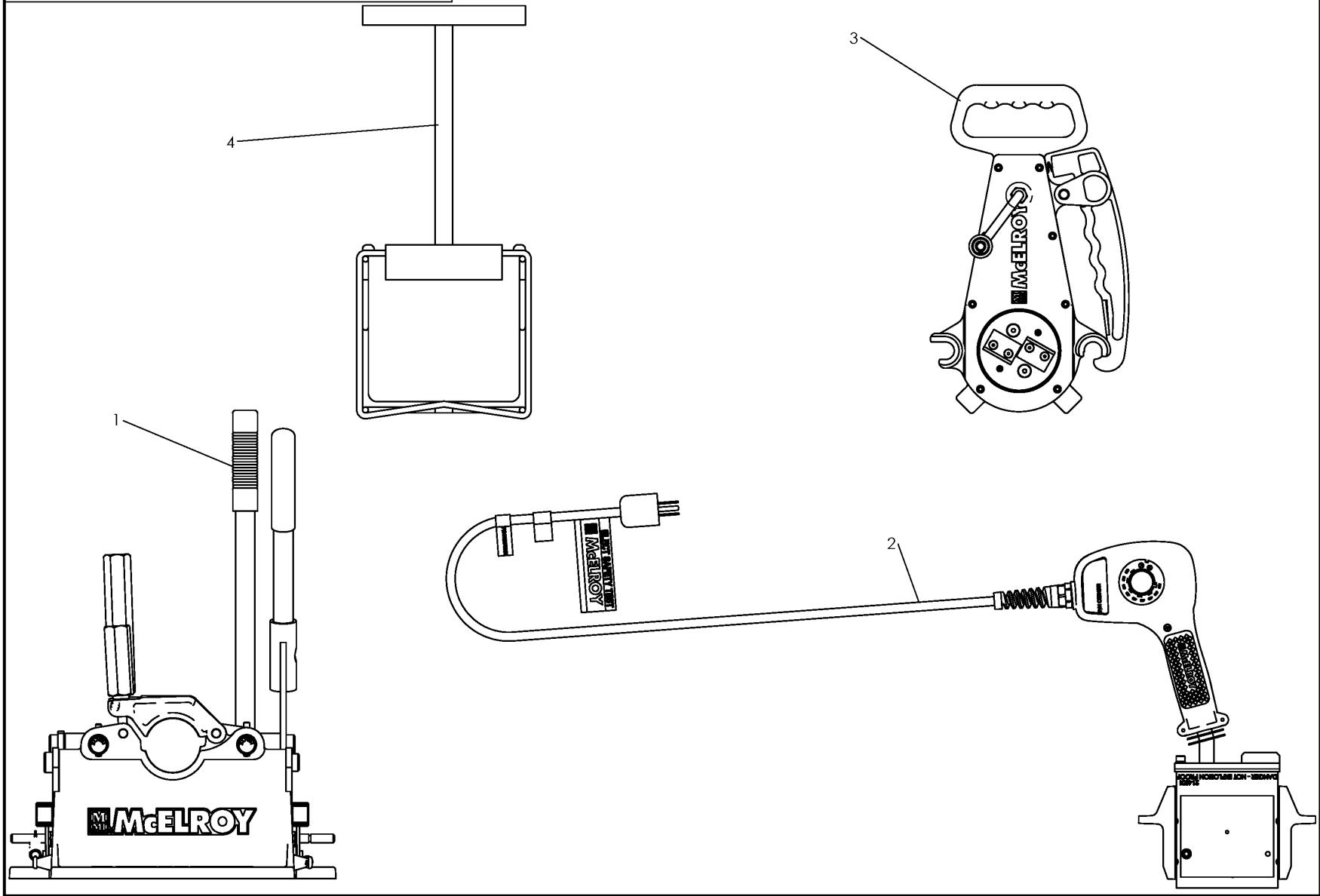




DRAWN: BWB	CHECK: SWB	APPRVD: SWB	DATE: 10/25/05	SHT No: 1 of 3	REV No: A	PART No: A217201
------------	------------	-------------	----------------	----------------	-----------	------------------

2 LC BUTT 100-120V, 50/60Hz FUSION MACHINE PACKAGE

NOTE: THIS DRAWING AND THE INFORMATION CONTAINED THEREIN IS THE CONFIDENTIAL AND PROPRIETARY PROPERTY OF McElroy Manufacturing, Inc. THE DRAWING IS NOT TO BE REPRODUCED IN ANY MANNER, SUBMITTED TO OUTSIDE PARTIES FOR EXAMINATION, OR USED DIRECTLY OR INDIRECTLY FOR THE PURPOSES OTHER THAN THOSE FOR WHICH IT WAS FURNISHED WITHOUT WRITTEN PERMISSION OF McElroy Manufacturing, Inc.



McElroy Manufacturing Parts List

Part Number: A217201 #2LC Butt 100-120v, 50/60Hz Fusion Machine Package

Part Number A217201 Component List

Item	Component	Description	Quantity	Unit	Price
1	217201	2LC Butt Fusion Machine Assembly	1.0	EA	1,926.00
2	A215505	Obsolete & Replaced by 252801 (Effective 2/1/05 to 2/9/20)	1.0	EA	0.00
2	252801	2 MultiMc Butt Plate 100-120V, 50/60Hz Heater Assembly	1.0	EA	686.00
3	216101	2 Facer Assembly	1.0	EA	1,098.00
4	218301	2 Heater/Facer Stand Assembly	1.0	EA	279.00

Please visit <https://fusion.mcelroy.com/parts> to purchase parts or for more information.

